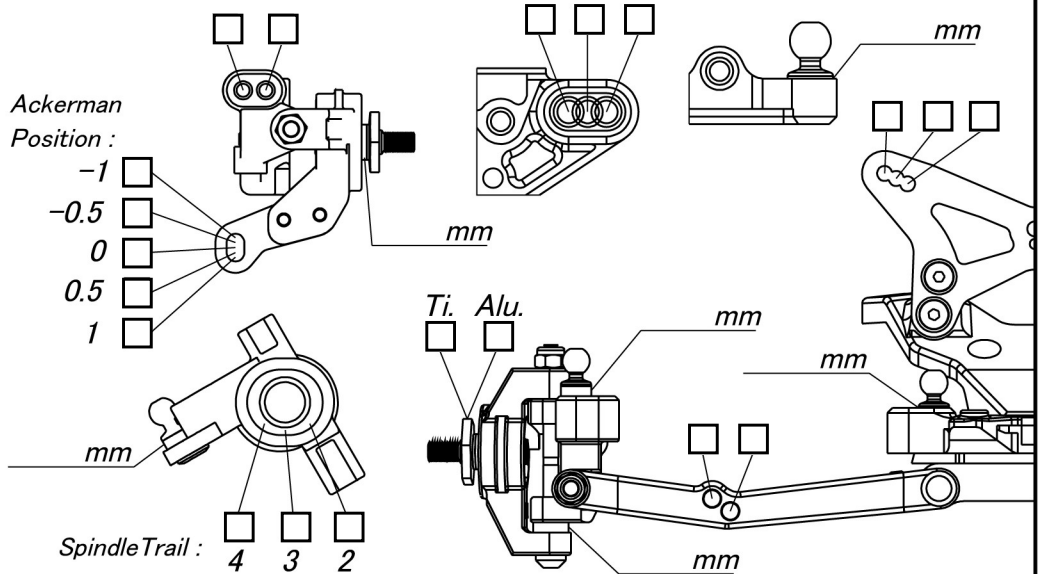


Driver : _____
 Date : _____
 Track : _____
 Event : _____

Track Condition
 Size : Open Mid Tight
 Traction : High Mid Low
 Condition : Smooth Bumpy Dry Wet
 Surface : Carpet Dirt Astroturf

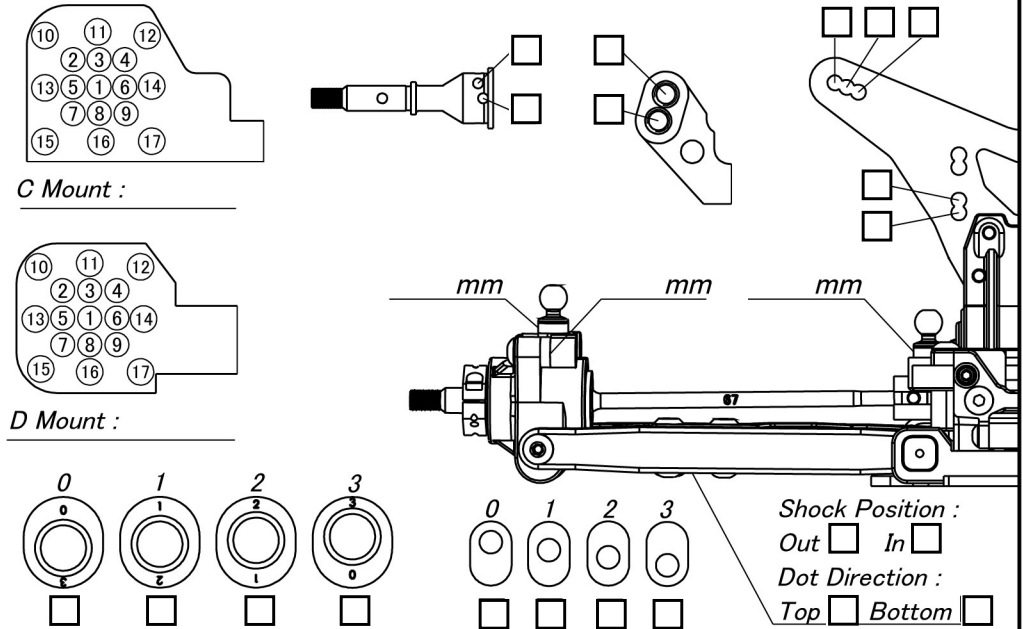
Front Suspension

Ride Height : _____
 Camber : _____
 Toe : _____
 Anti-roll Bar : _____
 Front Bulkhead Spacer : _____
 Plastic mm / Brass mm
 Shock Pivot Ball Position :
 Fwd Back

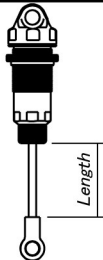


Rear Suspension

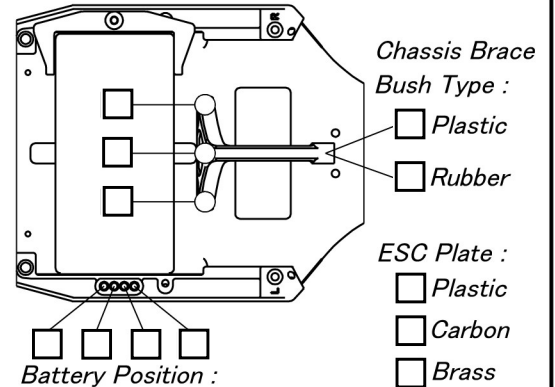
Ride Height : _____
 Camber : _____
 Anti-roll Bar : _____
 Arm Position : Fwd Back
 Hub Position : Fwd Mid Back
 Shock Pivot Ball Position :
 Fwd Back



Shocks



	Front		Rear			
Piston :						
Oil :						
Spring :						
Length :						
Limiters :	Int :	Ext :	Int :	Ext :		
Eyelet Length :	Std <input type="checkbox"/>	+2 <input type="checkbox"/>	Std <input type="checkbox"/>	+2 <input type="checkbox"/>		
Cup Offset :	Low <input type="checkbox"/>	Mid <input type="checkbox"/>	High <input type="checkbox"/>	Low <input type="checkbox"/>	Mid <input type="checkbox"/>	High <input type="checkbox"/>



Electronics

Radio : _____
 Servo : _____
 ESC : _____
 Motor : _____
 Gearing : / _____
 Battery : / _____ g

Weight
 Servo Weight : Yes No
 Battery Weight : 19g 37g

Differential

Gear Diff : 2 Gear : Oil
 4 Gear : Friction O-ring : _____
 Ball Diff : Setting _____

Tire
 Type : _____
 Compound : _____

Inserts : _____
 Wheel : _____
 Additive : _____

Total Weight : _____ g

Body & Wing

Body : _____
 Wing : _____
 Wing Angle : 0° 3° 6°
 Front Wing : _____ Low : High :